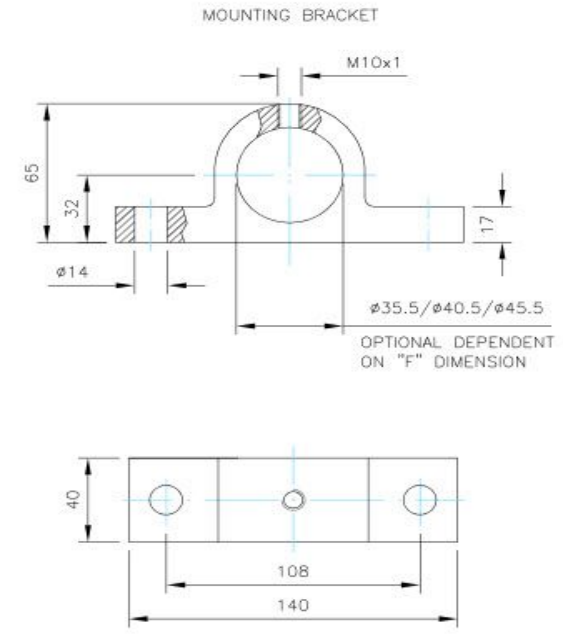
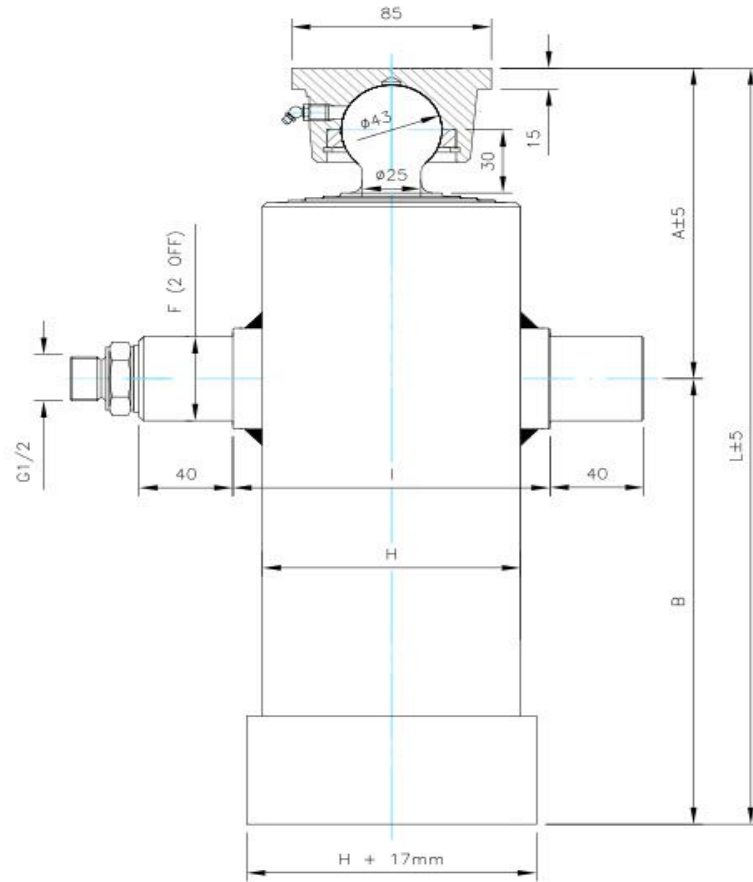


Hydraulic Telescopic Cylinder



- NOTES:
 1) WORKING PRESSURE; 160 bar;
 2) CAPS AVAILABLE: ROUND OR SQUARE.

THIS DRAWING IS THE PROPERTY OF VICTORIAN HYDRAULICS PTY LTD VICTORIA AUSTRALIA AND MUST NOT BE REPRODUCED IN ANY FORM OR OR DISCLOSED TO ANY UNAUTHORISED PERSON WITHOUT WRITTEN CONSENT FROM THE ABOVE MENTIONED COMPANY

DIM IN MM	>2000	<2000	1DEC	2DEC	3DEC
TOL'S	±3.00	±1.50	±0.5	±0.25	±0.025



ISSUE	AMENDMENT	SIGN.	DATE
-------	-----------	-------	------

DRAWN	DF
DATE	29.11.16
SCALE	SCALE 1 : 2
CHECKED	

VICTORIAN HYDRAULICS PTY.LTD.
 UNDER BODY CYLINDER
 C/W MOUNT BRACKETS
 DETAIL DRAWING

18 Levenswell Road, Moorabbin
 Victoria 3189, Australia.
 Ph 9553 0344 Fax 9555 4472

DRG No.
VH12596

ISSUE No. 0

SHEET 1 OF 1 A3

Specifications						Dimensions (mm)						Rod Diameter (per stage)						Ton Force @ 160 Bar (per stage)					
Model	Stages	Stroke	Capacity (t)	Volume (L)	Weight (Kg)	A	B	F	H	I	L	1st	2nd	3rd	4th	5th	6th	1st	2nd	3rd	4th	5th	6th
4TG-E90*800QZ	4	800	5	3.2	21	155	223	40	112	135	378	90	75	60	45	-	-	10.2	7.1	4.5	2.5	N/A	N/A
6TG-E105*850QZ	6	850	6	3.8	21	160	161	40	125	150	321	105	90	75	60	45	30	13.9	10.2	7.1	4.5	2.5	1.1
6TG-E105*1000QZ	6	1000	6	4.2	23	160	186	40	125	150	346	105	90	75	60	45	30	13.9	10.2	7.1	4.5	2.5	1.1
6TG-E120*1250QZ	6	1250	9	7.7	33	160	231	45	142	165	391	120	105	90	75	60	45	18.1	13.9	10.2	7.1	4.5	2.5
6TG-E120*1500QZ	6	1500	9	8.7	37	160	273	45	142	165	433	120	105	90	75	60	45	18.1	13.9	10.2	7.1	4.5	2.5